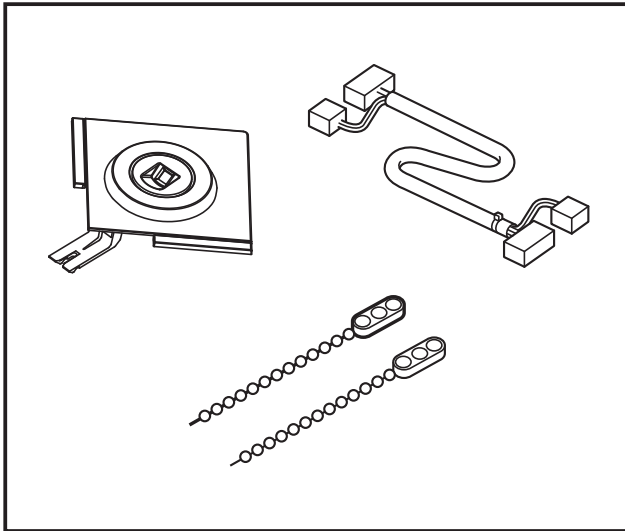




## Figure



## Descriptions

- Both floor and inlet temperatures are measured to provide a comfort sensation fully in a room covering from the ceiling to the floor surfaces.
- The i-see Sensor detects persons in the room and performs various control functions according to the remote controller settings.
- Install the i-see Sensor corner panel to the corner of the decorative panel.

## Applicable Models

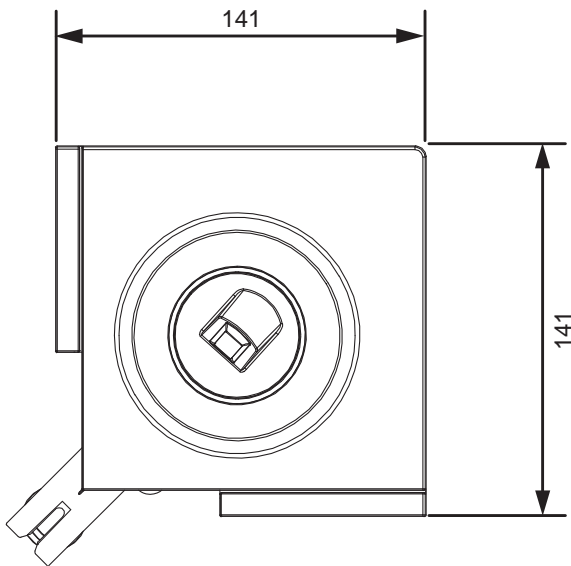
- SLZ-M·FA series
- PLFY-P·VFM-E1 series

## Specifications

Adapter wiring	Connect the 9-core cord with connector to the indoor controller board of the indoor unit.
Exterior	ABS resin (Munsell No.1.0Y9.2/0.2)
i-see Sensor operation	The i-see Sensor rotates for approximately one minute once every three minutes.

## Dimensions

Unit : mm



OPTIONAL PARTS


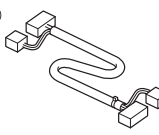
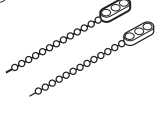
## How to Use / How to Install

### 1. Accessories

Make sure that all the following accessories besides this installation manual are contained in the package.

Model	Accessory name	Q'ty
PAC-SF1ME-E	① i-see Sensor	1
	② Junction wire	1
	③ Fastener	2

① 	② 	③ 
--	--	--

### 2. Preparation for mounting i-see Sensor

(The junction wire ② needs to be connected to the indoor unit.)

Note 1: Turn off main power supply to the indoor unit before installation.

Note 2: See the installation manual of the indoor unit in addition to this manual.

- Remove the grille from the indoor unit as described in the following procedure.

- 1) Open the intake grille, loosen the screws for the corner panels, and remove the corner panels.
- 2) Remove the screw for the connector box cover, and open the connector box cover. Disconnect the connector of the wire coming from the vane motor.
- 3) Remove the 4 screws fastened on the corners of the grille.
- 4) Disengage the 2 hooks of the grille from the indoor unit, and remove the grille.

- Perform the electrical work of the junction wire ② by referring to [Electrical work] in the installation manual of the indoor unit.

### 3. Mounting i-see Sensor

- Mount the i-see Sensor ① on either corner of the grille, which is marked with "○" or "□" by referring to [Installing the grille] in the installation manual of the indoor unit.

Note 1: "○" stamp : default i-see Sensor position.

Note 2: Discard the corner panel removed from the position indicated with "○" or "□".

Note 3: To change the position of the i-see Sensor from the position indicated with "○" to that indicated with "□", change the function setting (SLZ) or the switch (SW3-4) setting (PLFY).

- After mounting the i-see Sensor ①, close the connector box cover. Replace the 3 corner panels, the intake grille, in the reverse order of the removal described above.

### 4. Check

- Make sure that there is no gap either between the body of indoor unit and the grille or between the ceiling surface and the grille. The gap may cause dew formation.
- Make sure that the wires are connected properly.
- For i-see Sensor corner panel, check the rotating movement.  
If the i-see Sensor does not rotate, see the procedure in [installing the grille] in the installation manual of the indoor unit again.

